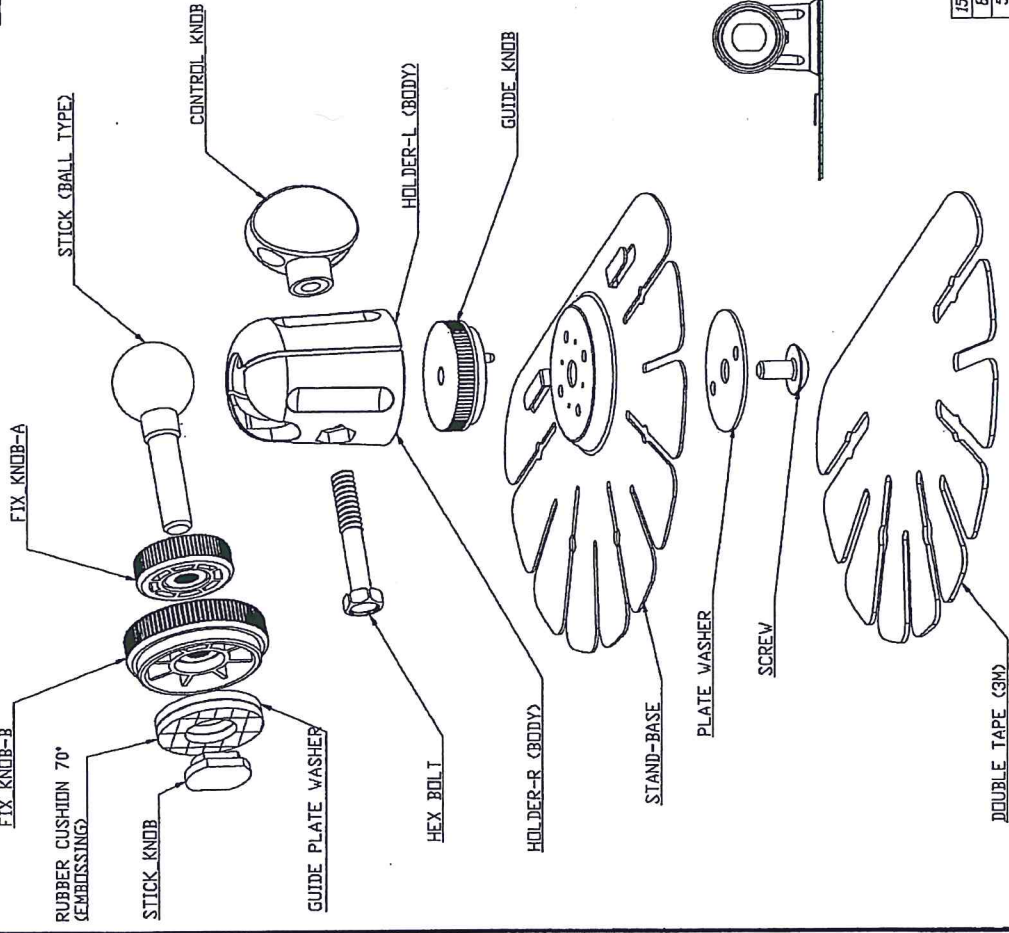


NO	DTAE	CODE	NOTE	DRAV	APPRD
△					
△					
△					



150 -	±0.35	±0.50	±0.80	3
60 - 150	±0.25	±0.35	±0.50	2
50 - 60	±0.20	±0.25	±0.40	1
30 - 50	±0.15	±0.20	±0.35	1
18 - 30	±0.10	±0.15	±0.30	1
6 - 18	±0.08	±0.10	±0.20	1
- 6	±0.05	±0.08	±0.15	1
Division	A	B	C	
TOLERANCE STEP (A)				
ANGULAR ± 30°				

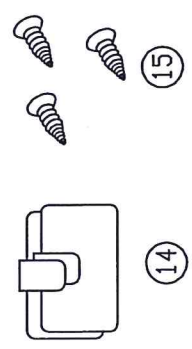
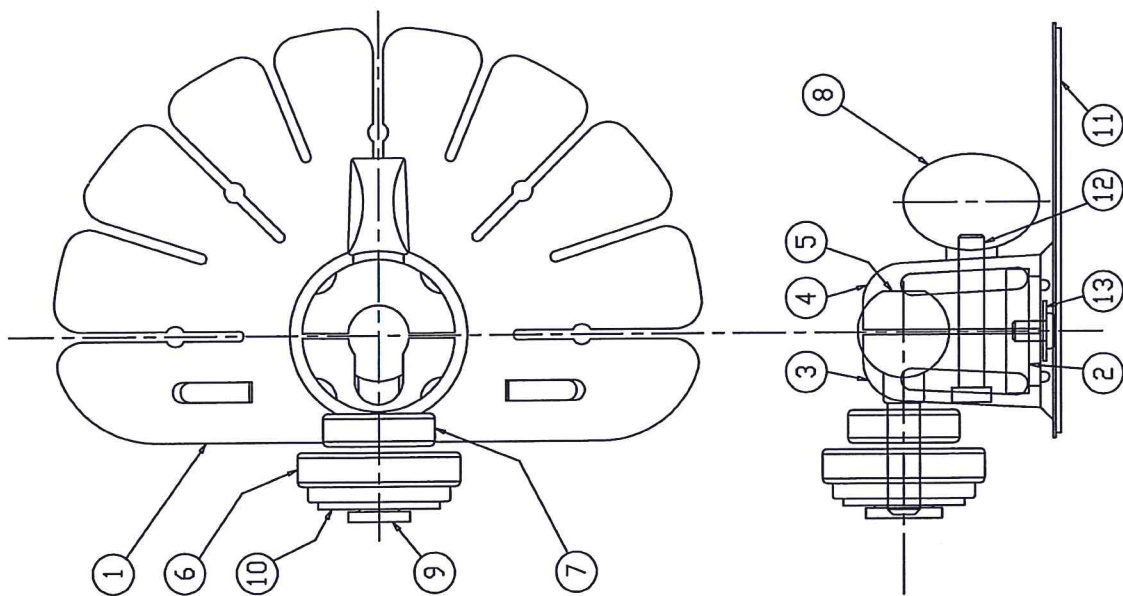
  

DATE	2009/03/25	BY	CHKD	VJNH	CODE	MATERIAL	TREATMENT	QTY	REMARK
DRW	CHECK	APPRD							
MODEL NAME	CL-5 STAND								
SCALE	1/2								
UNIT	mm								
STAND OUTLINE									

SCALE 1/1

A | B | C | D | E | F | G | H

MARK	REVISIONS	DESIGNED	CHECKED	APPROVED
△1				
△2				



15	TAPPING SCREW	3	(TH)M4x12	BLACK	ACCESSORY
14	CABLE CLIP	2	SBHG(0.5t)	BLACK	ACCESSORY
13	MACHINE SCREW	1	(PHW)M4x6	Zn-P(Y)	
12	HEX BOLT	1	M5x30	BLACK COATING	
11	BASE TAPE	1	3M	NATURAL	
10	RUBBER CUSHION	1	NBR	BLACK	
9	LOCK NUT	1	MBsB	BLACK COATING	
8	CONTROL KNOB	1	ABS(XR-401)	BLACK	
7	FIX KNOB-B	1	ABS(XR-401)	BLACK	
6	FIX KNOB-A	1	ABS(XR-401)	BLACK	
5	STICK	1	MSWR	BLACK COATING	
4	HOLDER-R	1	A1DC	BLACK COATING	
3	HOLDER-L	1	A1DC	BLACK COATING	
2	GUIDE KNOB	1	A1DC	NATURAL	
1	STAND BASE	1	SBHG(0.5t)	BLACK COATING	
NO.	DESCRIPTION	Q'TY	MATERIAL	FINISH	REMARK
3RD ANGLE PROJECTION	UNIT	SCALE	MODEL NO.	CL-5	
	M/M	1 / 1	PART NAME	OUTLINE DIAGRAM	
DESIGNED	CHECKED	APPROVED	DRAWING NO.		
			CAMOS COMPANY LIMITED		

LENGTH (mm)	0-25	25-100	100-250	250-400	400-500	ANGLE (°)
TOLEFRANCE (±)	0.05	0.1	0.15	0.2	0.3	±0.2